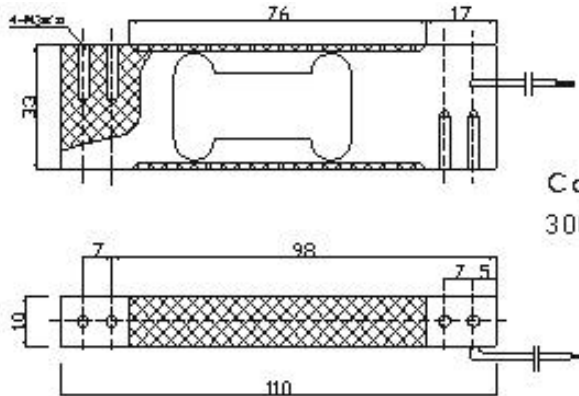


## Load Cell Model FAS-110

**Material: Aluminum**



**outline**



Capacity:  
300, 600, 1500, 3000g

**Specifications**

Comprehensive Error	0.02	
Output Sensitivity (mV/V)	1.0 ± 0.1	2.0 ± 0.1
Nonlinearity (%F.S)	± 0.02	
Repeatability (%F.S)	± 0.01	
Hysteresis (%F.S)	± 0.015	
Creep (%F.S/30min)	± 0.02	
Temp. Effect on Zero (%F.S/10°C)	± 0.02	
Temp. Effect on Output (%F.S/10°C)	± 0.02	
Zero Output (%F.S)	± 4	
Input Resistance (Ω)	420 ± 20	
Output Resistance (Ω)	350 ± 5	
Insulation Resistance (MΩ)	≥ 5000	
Excitation Voltage (V)	10 (FAS-110-1)	15 (FAS-110-2)
Operation Temp Range (°C)	-10—+40	-20—+50
Overload Capacity (%F.S)	120	
Capacity (g)	0.3, 0.6, 1, 1.5, 3	
Material	Aluminum alloy	
Protection	IP65	
Recommended Applications	Electronic balance sensor Offset OIML R76 regulations Anti-elelected load snbjeet to OIML R76 0.017%FS; Recommended use of Mesa Size: Refereuce Max Plat formsize 200*200mm	

Note: All Specifications Subject To Change Without Notice & Custom-made Products Are Available.