



LL-01 SERIES – RELAY VERSION

SPECIFICATIONS

- Proven ultrasonic technology combined with compact electronics
- Improved performance in aerated liquids
- Cost effective design for tight spaces and direct replacement of electro optical and mechanical float switch

The LL-01 series Ultrasonic Sentio™ Miniature Liquid Level Switch uses proven ultrasonic technology combined with compact electronics yielding improved performance in aerated liquids.

FEATURES

Standard Features

- High pressure up to 250 PSIG (1724 Kpa)
- Output: Relay output, 0.5 amp SPST (normally open)
- No moving parts, easy to install
- Input 5 to 30 VDC
- Digital filter techniques enhance performance

Optional Features

- 3.3 volt input power
- Electropolishing
- Higher pressure up to 500 PSIG (3447 Kpa)
- Normally closed relay or Power Loop output, Wet 20±1 mA; Dry 4±1 mA

APPLICATIONS

- Pump protection
- Storage tanks
- Compressors
- Medical and laboratory equipment
- Hydraulic supply lines
- Oil film detection
- Coolant reservoirs
- Boiler water cutoff
- Sewage systems
- Pipe lines
- Hydraulic and lube reservoirs
- Chillers

LL-01 SERIES – RELAY VERSION

PERFORMANCE SPECIFICATIONS

Parameter	Typical Value
Repeatability	2 mm or better
Delay	0.5 seconds
Input Power	5 to 30 VDC
Leakage Current	Less than 50 μ A
Output (standard)	Mechanical Relay: 0.5 A, 10 W max; SPST (normally open)

Parameter	Typical Value
Sensor Material	316L Stainless Steel
Temperature	-20 to +176° F (-29 to 80 °C)
Operating Pressure	Up to 250 psig (1724 Kpa)
Mounting	1/4" NPT or 1/2" NPT
Cable Length	1, 4, 10, & 20 foot lengths available

MECHANICAL DIMENSIONS in inches [mm]

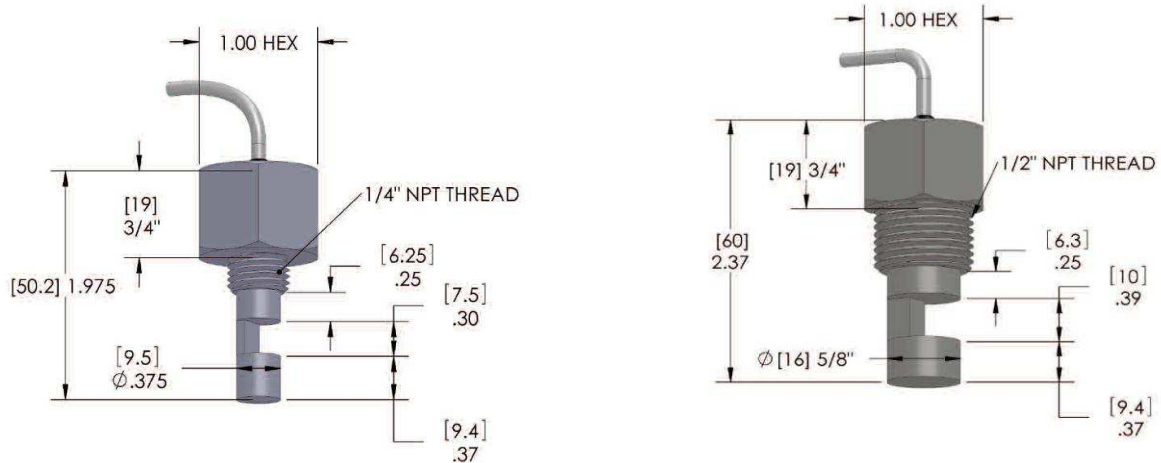


Figure 1: Left - LL-01 series element with 1/4" NPT sensor mounting
 Right - LL-01 series element with 1/2" NPT sensor mounting

TYPICAL WIRING DIAGRAM

Relay Output

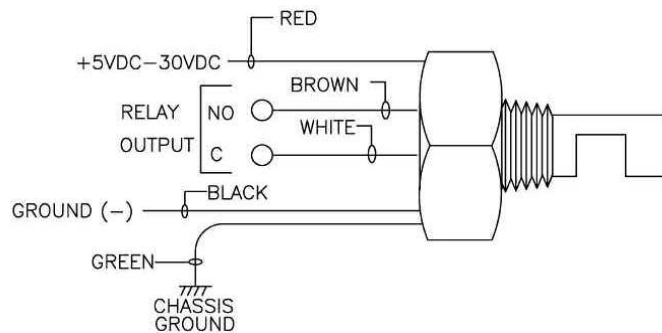
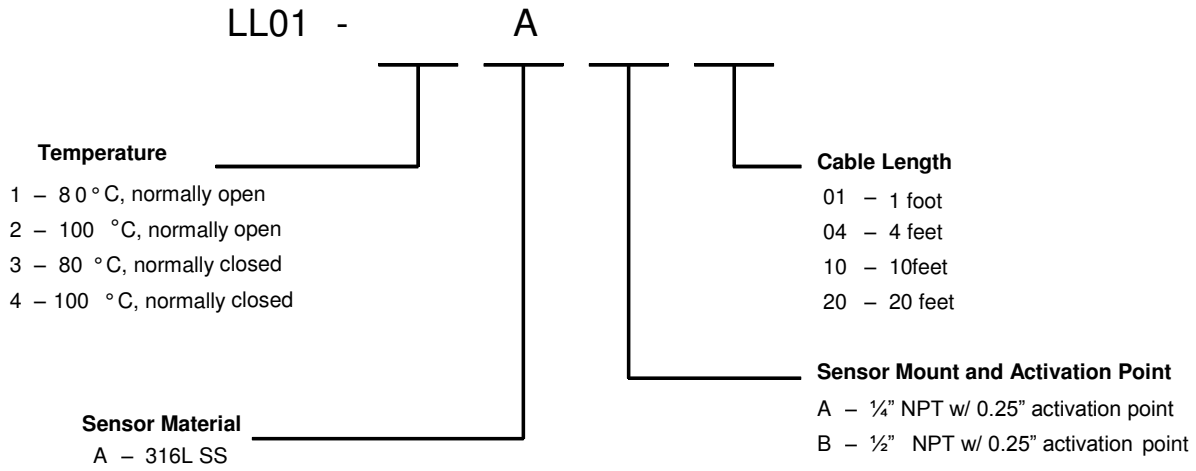


Figure 2: Typical wiring diagram for LL-01 series elements

ORDERING INFORMATION



NORTH AMERICA

Measurement Specialties, Inc.,
a TE Connectivity Company
1000 Lucas Way
Hampton, VA 23666
Tel: 1-800-745-8008
Fax: 1-757-766-4297
Sales: piezo@meas-spec.com

EUROPE

MEAS Deutschland GmbH
a TE Connectivity Company
Hauert 13
44227 Dortmund
Germany
Sales & Customer Service: +49 (0)231 9740 21
Technical Support: +44 (0)138 38700 01
Email: piezoeurope@meas-spec.com

ASIA

Measurement Specialties (China), Ltd.,
a TE Connectivity Company
No. 26 Langshan Road,
High-Tech Park (North)
Nanshan District, Shenzhen 518057
Tel: +86 755 3330 5068
Email: sales.china@meas-spec.com

TE.com/sensorsolutions

Measurement Specialties, Inc., a TE Connectivity company.

Measurement Specialties, TE Connectivity, TE Connectivity (logo) and EVERY CONNECTION COUNTS are trademarks. All other logos, products and/or company names referred to herein might be trademarks of their respective owners.

The information given herein, including drawings, illustrations and schematics which are intended for illustration purposes only, is believed to be reliable. However, TE Connectivity makes no warranties as to its accuracy or completeness and disclaims any liability in connection with its use. TE Connectivity's obligations shall only be as set forth in TE Connectivity's Standard Terms and Conditions of Sale for this product and in no case will TE Connectivity be liable for any incidental, indirect or consequential damages arising out of the sale, resale, use or misuse of the product. Users of TE Connectivity products should make their own evaluation to determine the suitability of each such product for the specific application.

© 2015 TE Connectivity Ltd. family of companies All Rights Reserved.